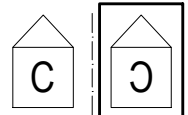
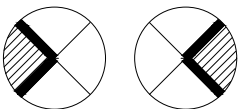
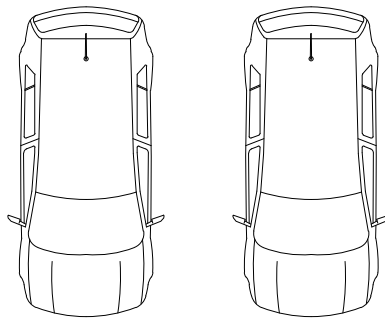


9170

11920



DJS O86 | DJS Architecture

85,17 m²

